

# USG LEVELROCK™ BRAND SOUND ATTENUATION MAT

SAM-N12™

SAM-N25™

SAM-N40™

---

## Premium sound mat products

- STC and IIC values help meet or exceed code requirements for sound attenuation
  - Can be used over a variety of subfloors
  - Robinson tested for system durability
  - May contribute towards LEED® credits
  - Installed by USG Levelrock authorized applicators
- 

## DESCRIPTION

USG Levelrock™ Brand SAM-N12™, SAM-N25™ and SAM-N40™ sound attenuation mats provide an economical method of improving the IIC and STC ratings of a variety of subfloors such as plywood, OSB, pre-cast concrete, concrete and metal pan decking. With a nominal thickness of 0.125 in. (1/8 in.) for SAM-N12, 0.25 in. (1/4 in.) for SAM-N25 and 0.4 in. for SAM-N40, these sound mats are ideal for multi-family wood frame construction. SAM-N12 requires a minimum 3/4 in. of USG Levelrock® engineered cementitious underlayment topping, while both SAM-N25 and SAM-N40 sound attenuation mats require a minimum 1 in. topping of USG Levelrock engineered cementitious underlayment. All SAM sound attenuation mats are made from a durable polymer resin with a special moisture-managed control backing.

For those interested in green building, the typical recycled content of USG Levelrock SAM-N12, SAM-N25 and SAM-N40 sound attenuation mats (40%, of which 100% is pre-consumer/post-industrial material) can help a building achieve a LEED rating.

---

## LIMITATIONS

1. Do not use in exterior applications.
2. Do not use as a wear surface.
3. Do not use mechanical fasteners to install the sound attenuation mat as mechanical fasteners conduct impact sound, eliminating acoustical isolation.
4. Do not install where continuous exposure to moisture is a possibility.
5. Structure shall be designed so that deflection does not exceed L/240 from combined dead and live loads and L/360 from live loads. Certain floor coverings such as marble, limestone, travertine and wood may have more restrictive deflection limits. Consult the appropriate floor-covering manufacturer.
6. For wood subfloors, do not install on plywood/OSB subfloors lacking tongue and groove edges without back-blocking.

## INSTALLATION

USG Levelrock SAM sound attenuation mats can be used over a variety of subfloors including plywood, OSB, pre-cast concrete, concrete and metal pan decking. For plywood or OSB subfloors, the edges must be tongue and groove or the use of back blocking is required. The subfloor must be clean and free of construction debris and dirt. The building temperature should be maintained at a 50 °F minimum.

USG Levelrock SAM sound attenuation mat should be primed with USG Levelrock™ Wood Primer prior to the installation of the underlayment.

USG Levelrock™ Perimeter Isolation Strip must be installed between the sound attenuation mat and walls or floor protrusions. The perimeter isolation strip must be installed so that there is no leakage of USG Levelrock engineered cementitious underlayment as any breach will compromise the sound system performance. Follow the detailed drawings in Assemblies for specific instructions for USG Levelrock SAM-N12, SAM-N25 & SAM-N40 sound attenuation mats.

Protect USG Levelrock underlayment floors poured over sound attenuation mat from heavy trade traffic loads (i.e. loaded drywall carts, heavy tool cabinets, etc.) with plywood.

For further details on installation requirements, specifications and the most up-to-date product information, please see [usg.com](http://usg.com), [pourlevelrock.com](http://pourlevelrock.com) and [usgdesignstudio.com](http://usgdesignstudio.com).

## PRODUCT DATA

	USG Levelrock™ SAM-N12 Sound Attenuation Mat	USG Levelrock™ SAM-N25 Sound Attenuation Mat	USG Levelrock™ SAM-N40 Sound Attenuation Mat
Width (inches)	39.5	39.5	39.5
Roll length (lineal feet)	150	135	100
Coverage per roll (sq. ft./roll)	494	445	330
Mat thickness (inches)	0.125	0.25	0.40
Mat thickness (mm)	3.18	6.35	10.16
Roll diameter (inches)	18	24	26
Weight/roll (lbs./roll)	48	46	34

## TEST DATA

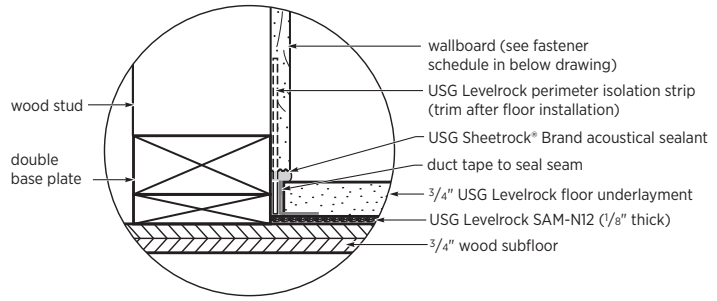
**IIC:** Improved approximately 4-8 points (depending on floor covering)

**STC:** Improved approximately 4-5 points

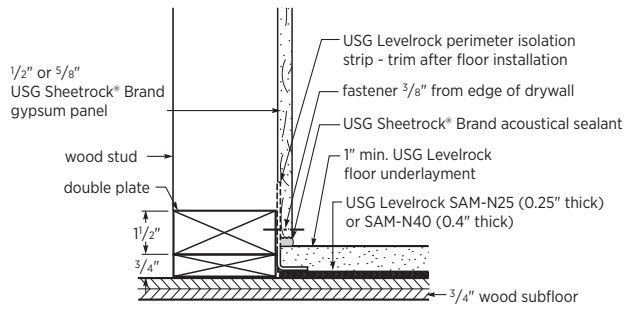
**NOTE:** Contact USG or Alcorp Marketing for detailed test results of various systems. Tests were conducted under laboratory conditions according to ASTM E90 and E492 in a NVLAP-accredited facility (NVLAP Lab Code: 100402-0). Actual field conditions may vary from laboratory conditions and affect results. Consult ASTM E1007 for a list of variable conditions.

**ASSEMBLIES**

WOOD SUBFLOOR, WOOD FRAME—  
USG LEVELROCK INSTALLED BEFORE DRYWALL

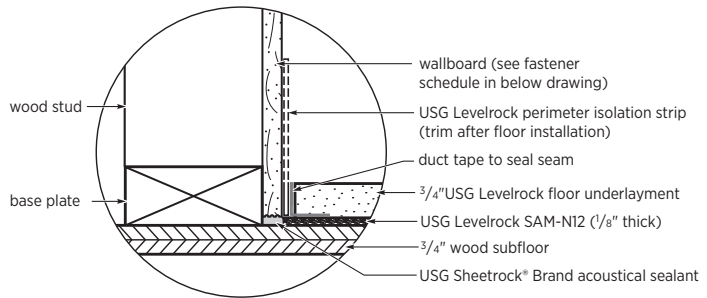


**USG Levelrock SAM-N12 Sound Attenuation Mat**

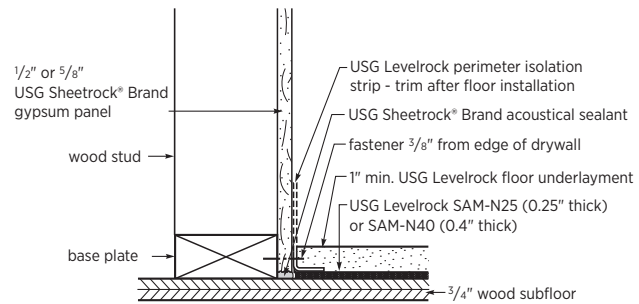


**USG Levelrock SAM-N25 or SAM-N40 Sound Attenuation Mat**

WOOD SUBFLOOR, WOOD FRAME—  
USG LEVELROCK INSTALLED AFTER DRYWALL



**USG Levelrock SAM-N12 Sound Attenuation Mat**



**USG Levelrock SAM-N25 or SAM-N40 Sound Attenuation Mat**

## SUBMITTAL APPROVALS

<b>Job Name</b>	
<b>Contractor</b>	<b>Date</b>

### PRODUCT INFORMATION

See [usg.com](http://usg.com) or [pourlevelrock.com](http://pourlevelrock.com) for the most up-to-date product information.

### LEED INFORMATION

For the most up-to-date information on LEED rating systems, project certification and the U.S. Green Building Council, please visit [usgbc.org](http://usgbc.org).

### CAUTION

Dust may cause irritation to eyes, skin, nose, throat and upper respiratory tract. Wear eye protection. If eye contact occurs, flush thoroughly with water for 15 minutes. Remove contact lenses and continue rinsing. If on skin: Wash with plenty of water. If irritation persists, call physician. For more information call Product Safety: 800-507-8899 or see the SDS at [usg.com](http://usg.com).

### KEEP OUT OF REACH OF CHILDREN.

### TRADEMARKS

The trademarks USG, LEVELROCK, SAM-N12, SAM-N25, SAM-N40, SHEETROCK, IT'S YOUR WORLD. BUILD IT., the USG logo, the design elements and colors and related marks are trademarks of USG Corporation or its affiliates. LEED is a registered trademark of U.S. Green Building Council.

### NOTICE

We shall not be liable for incidental or consequential damages, directly or indirectly sustained, nor for any loss caused by application of these goods not in accordance with current printed instruction or for other than the intended use. Our liability is expressly limited to replacement of defective goods. Any claim shall be deemed waived unless made in writing to us within thirty (30) days from date it was or reasonably should have been discovered.

### SAFETY FIRST!

Follow good safety/industrial hygiene practices during installation. Wear appropriate personal protective equipment. Read SDS and literature before specification and installation.

800 USG.4YOU  
800 (874.4968)  
[usg.com](http://usg.com)  
[pourlevelrock.com](http://pourlevelrock.com)  
[usgdesignstudio.com](http://usgdesignstudio.com)

Manufactured for  
United States Gypsum Company  
550 West Adams Street  
Chicago, IL 60661

IG1735/rev. 6-15  
© 2015 USG Corporation and/or  
its affiliates. All rights reserved.  
Printed in U.S.A.

